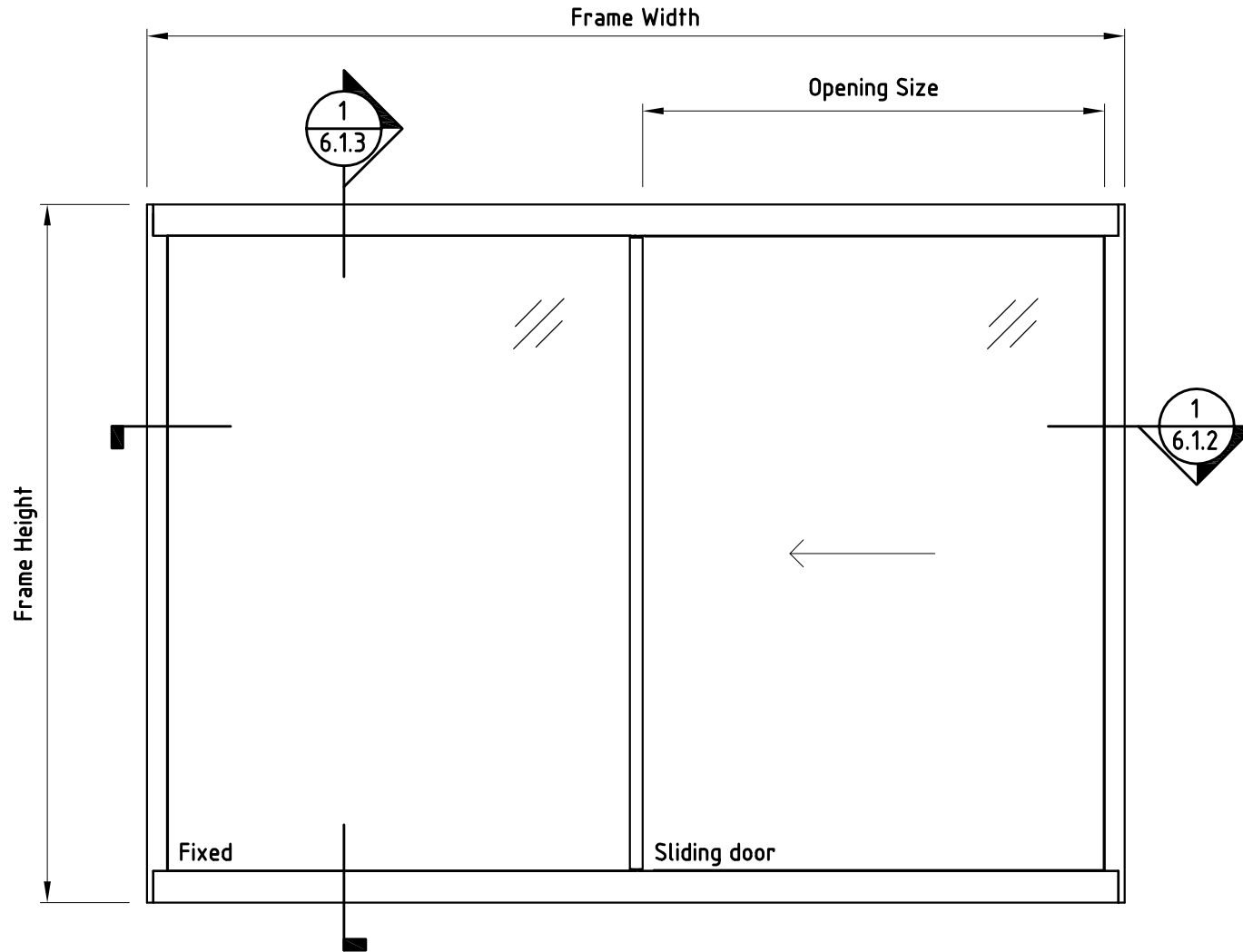


- + Design
- + Innovate
- + Create

- Swing Doors
- Lift and Slide

- Entrance Doors
- Bi-Folding

- Tilt and Turn
- Curtain Wall

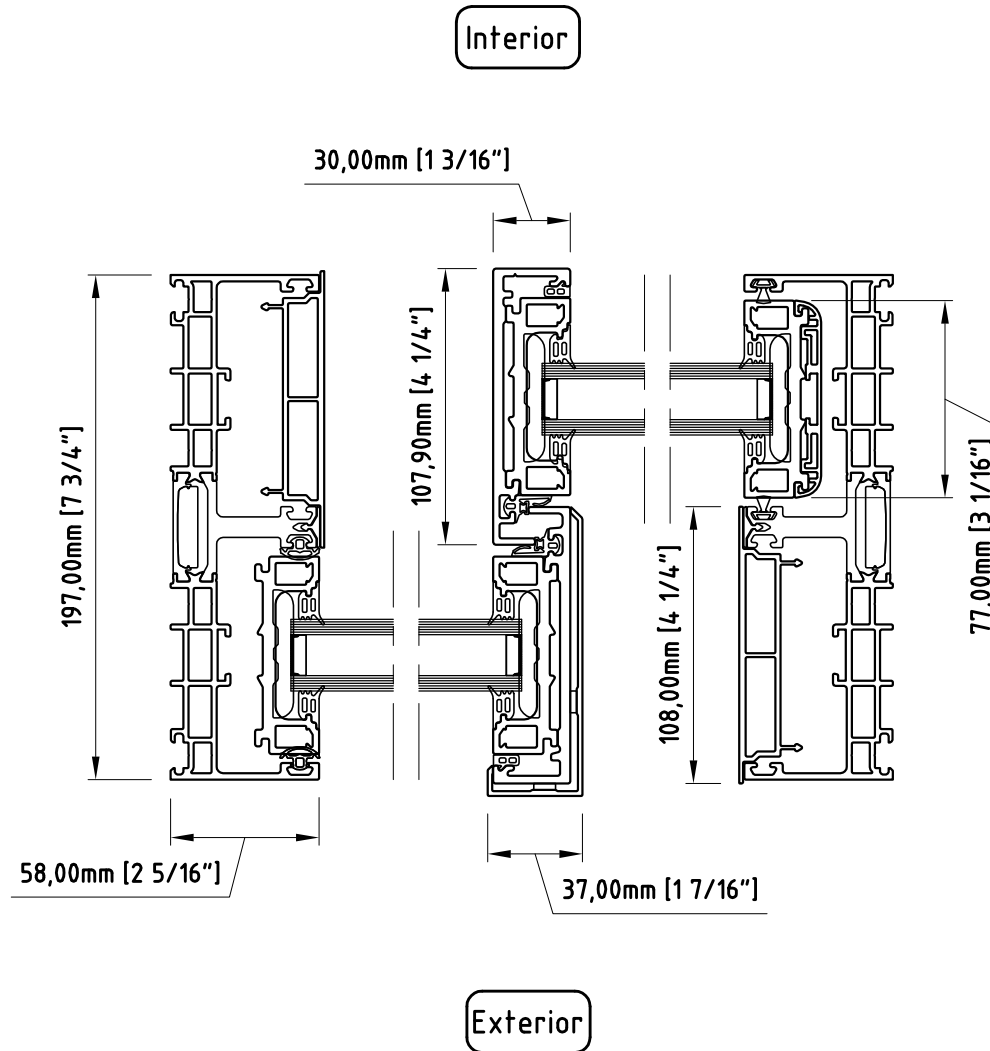


- + Design
- + Innovate
- + Create

- Swing Doors
- Lift and Slide

- Entrance Doors
- Bi-Folding

- Tilt and Turn
- Curtain Wall



- Tilt and Turn
- Curtain Wall

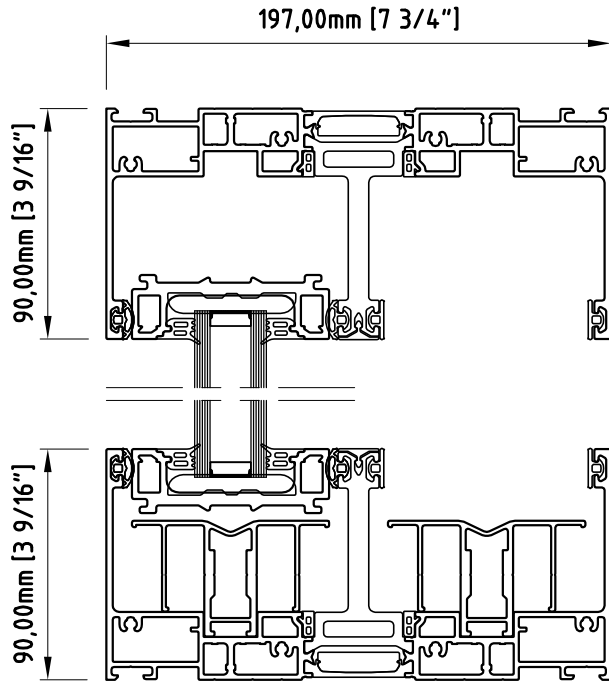
- Entrance Doors
- Bi-Folding

- Swing Doors
- Lift and Slide

- + Design
- + Innovate
- + Create

Interior

Exterior

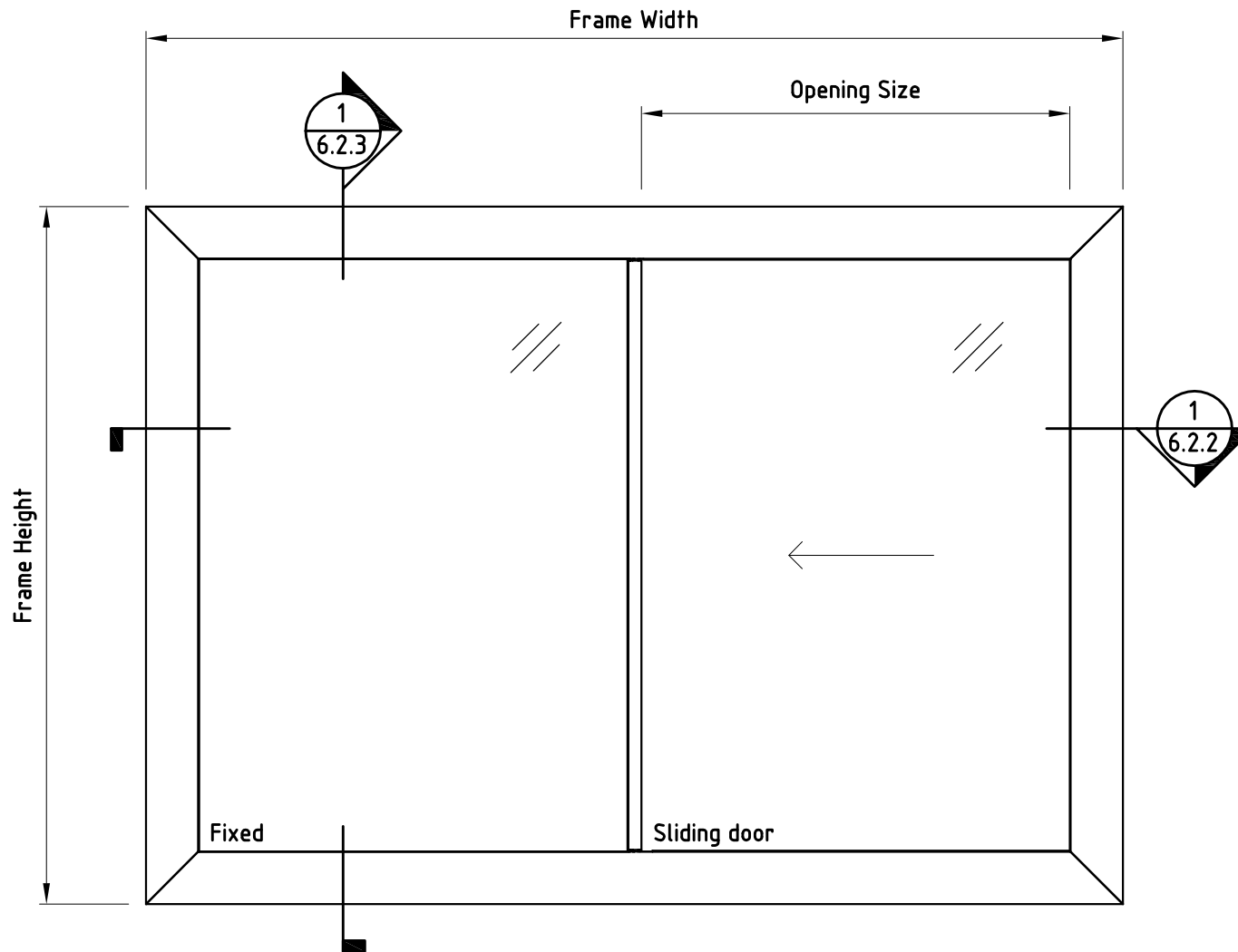


- + Design
- + Innovate
- + Create

- Swing Doors
- Lift and Slide

- Entrance Doors
- Bi-Folding

- Tilt and Turn
- Curtain Wall

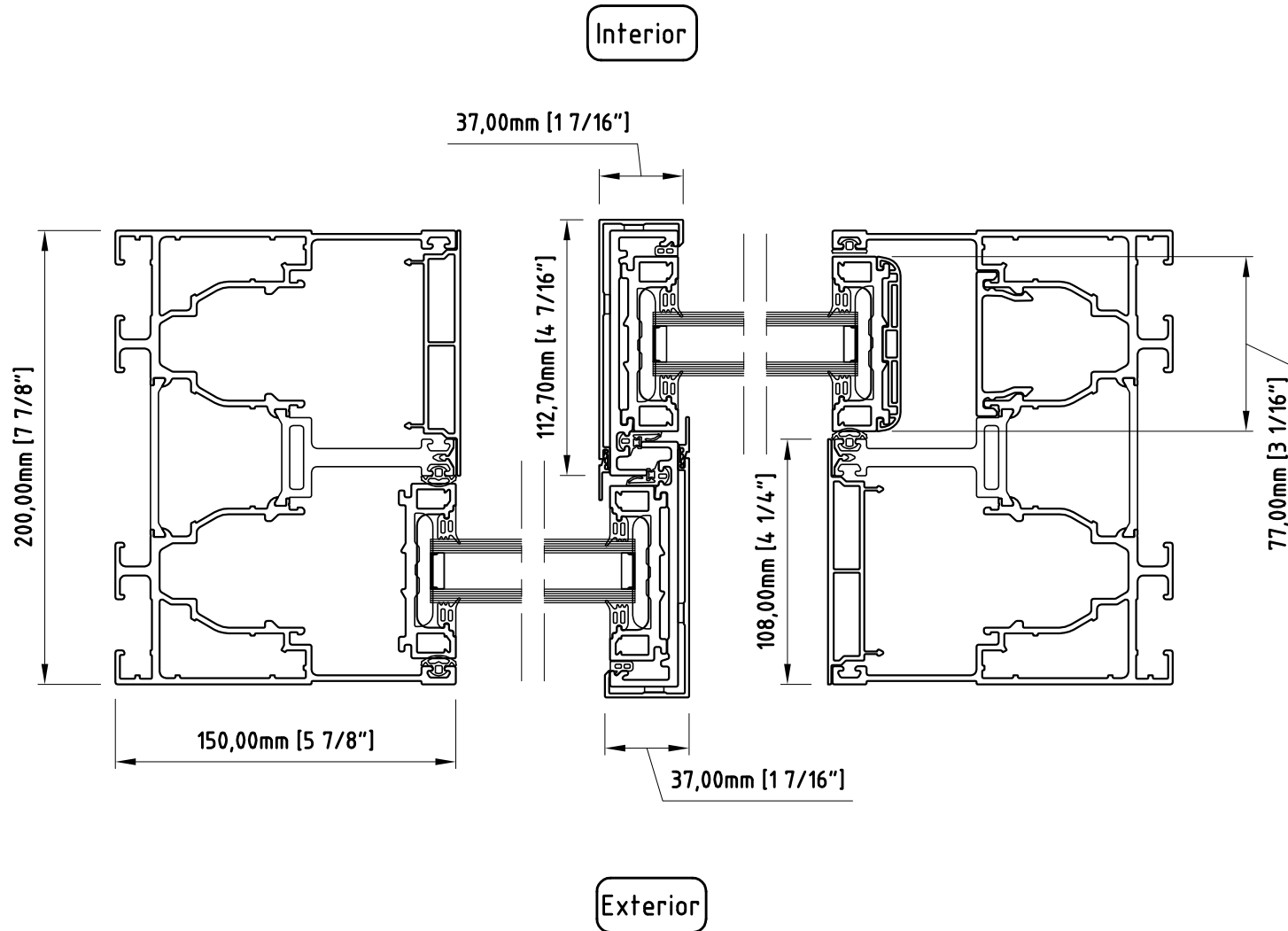


- + Design
- + Innovate
- + Create

- Swing Doors
- Lift and Slide

- Entrance Doors
- Bi-Folding

- Tilt and Turn
- Curtain Wall



- Tilt and Turn
- Curtain Wall

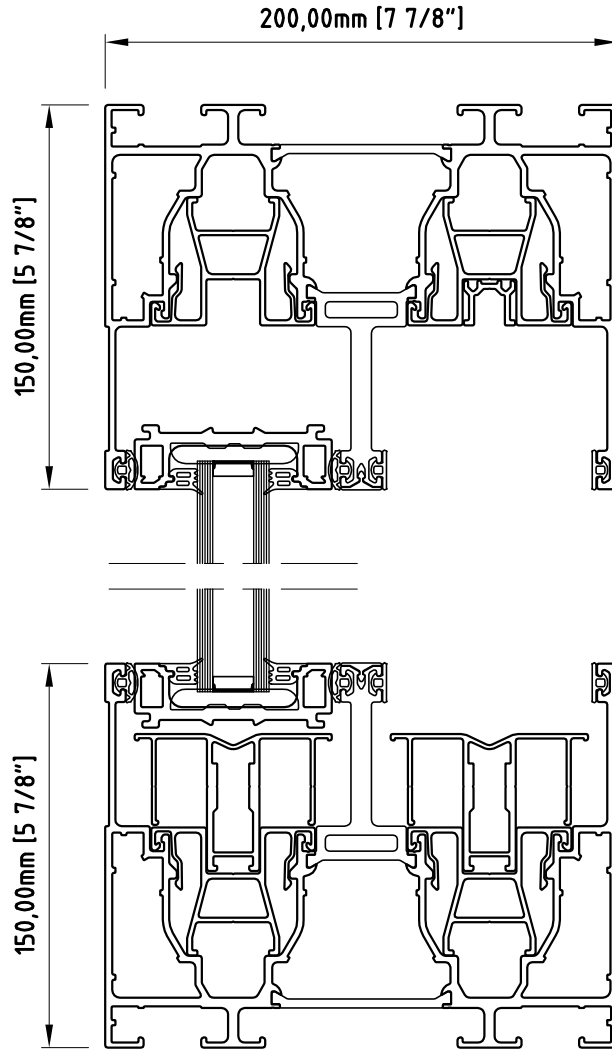
- Entrance Doors
- Bi-Folding

- Swing Doors
- Lift and Slide

- + Design
- + Innovate
- + Create

Interior

Exterior

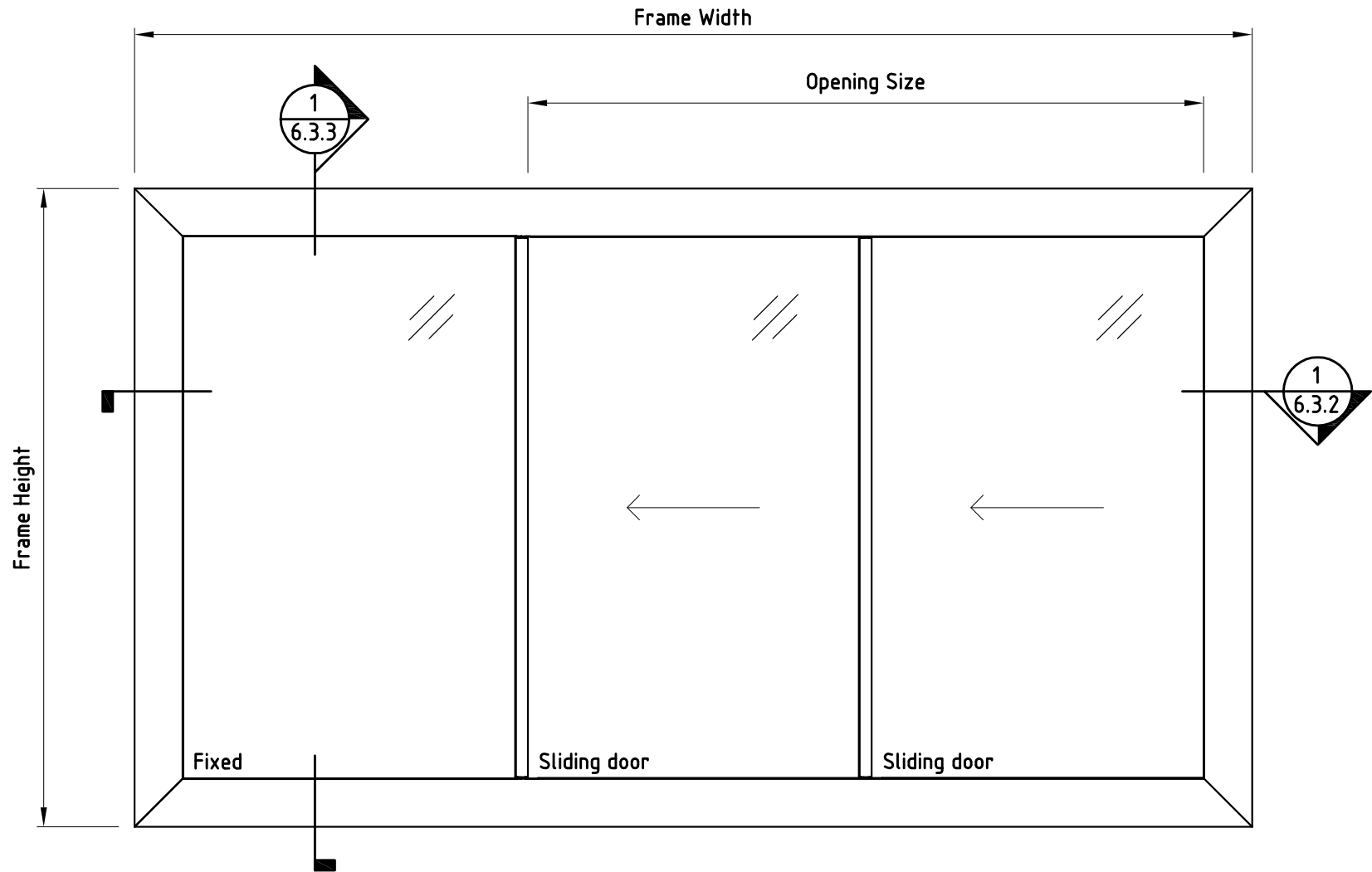


- + Design
- + Innovate
- + Create

- Swing Doors
- Lift and Slide

- Entrance Doors
- Bi-Folding

- Tilt and Turn
- Curtain Wall



bigfoot | door

1677 Aimco Blvd., Unit A, Mississauga, ON L4W 1R4

Ph: 905.602.5887 Fax: 905.238.9579

ASS 77 PD.HI Motorized Sliding Door

Triple Panel

6.3.1

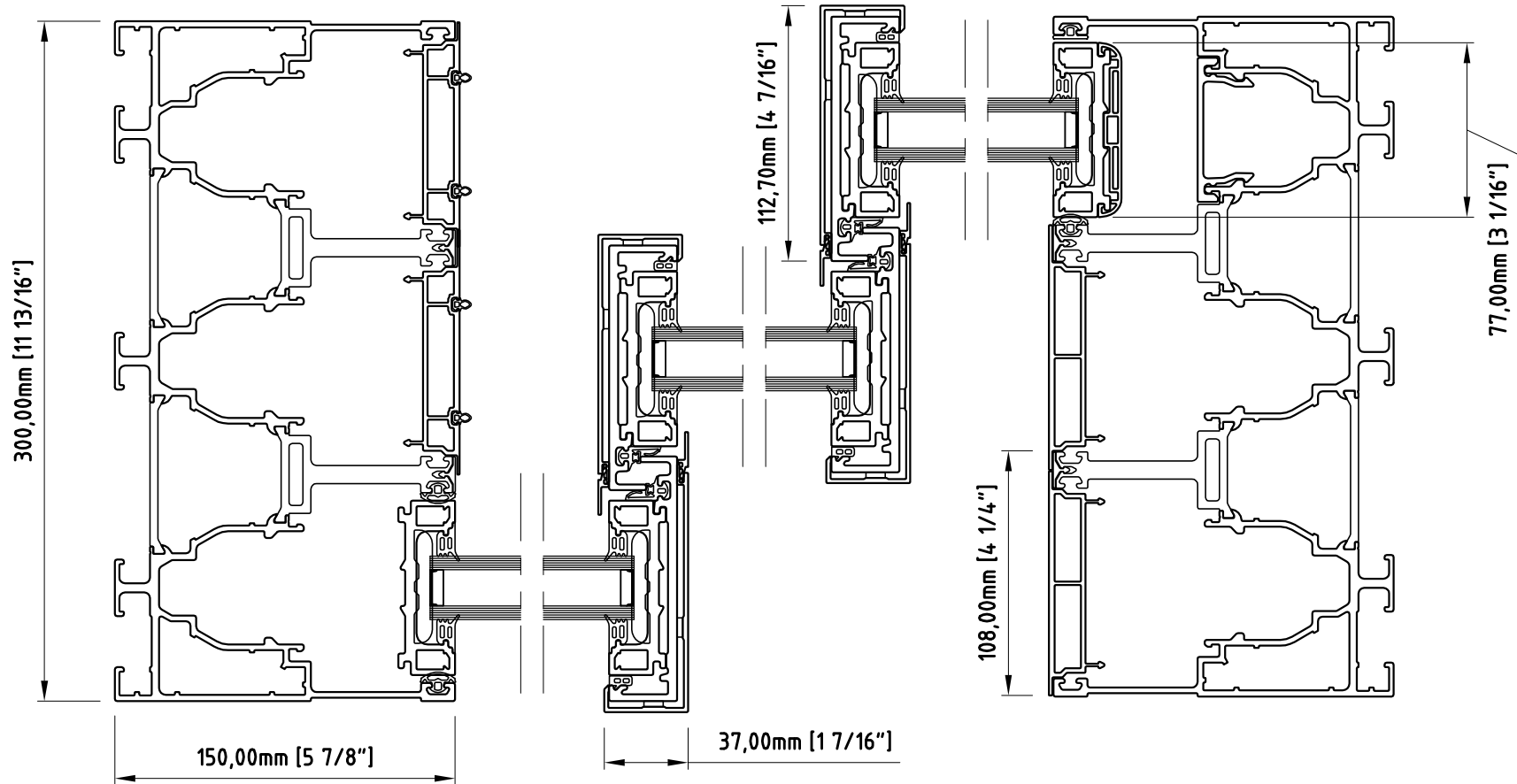
- + Design
- + Innovate
- + Create

- Swing Doors
- Lift and Slide

- Entrance Doors
- Bi-Folding

- Tilt and Turn
- Curtain Wall

Interior



Exterior

- Tilt and Turn
- Curtain Wall

- Entrance Doors
- Bi-Folding

- Swing Doors
- Lift and Slide

- + Design
- + Innovate
- + Create

