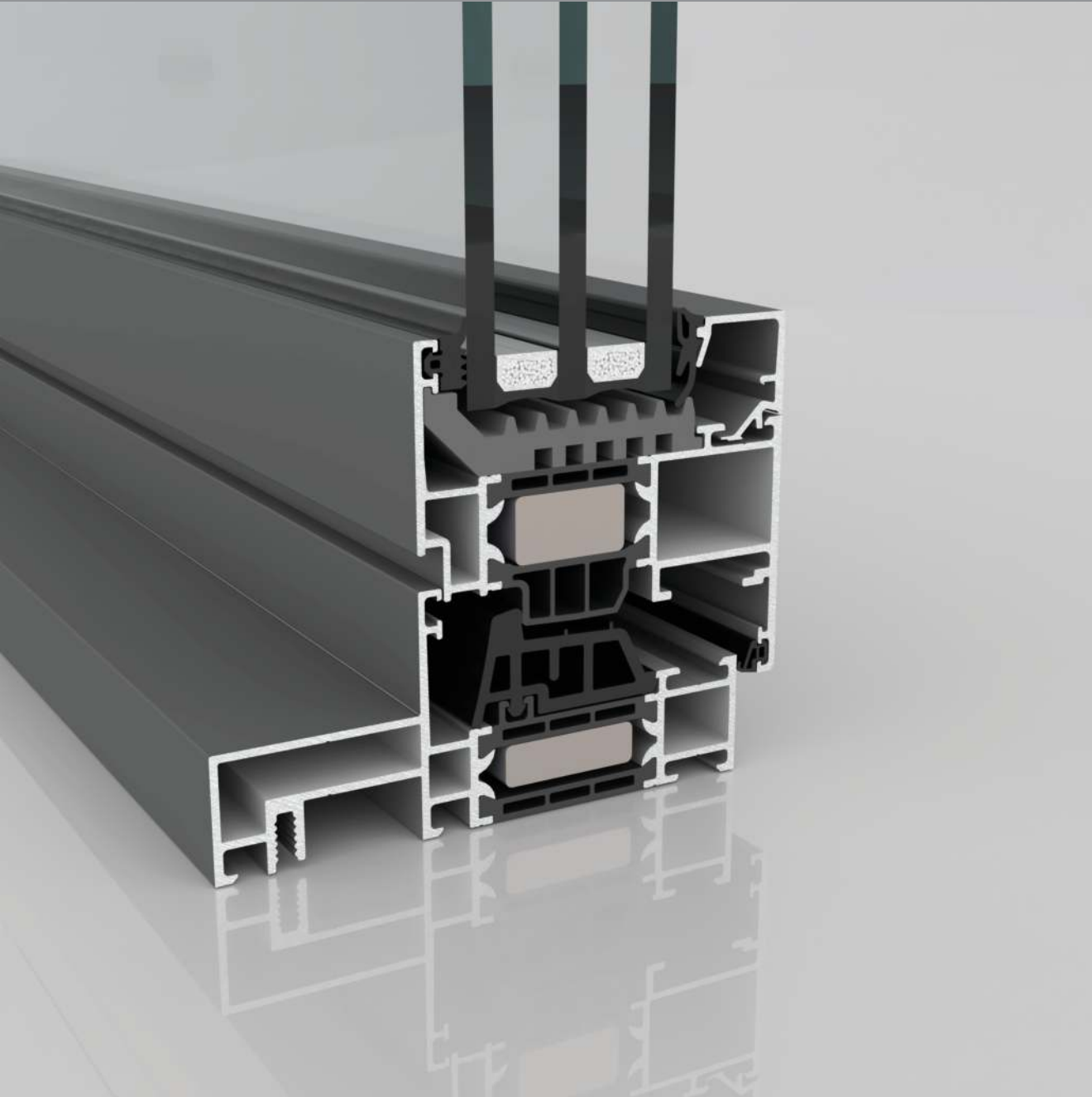
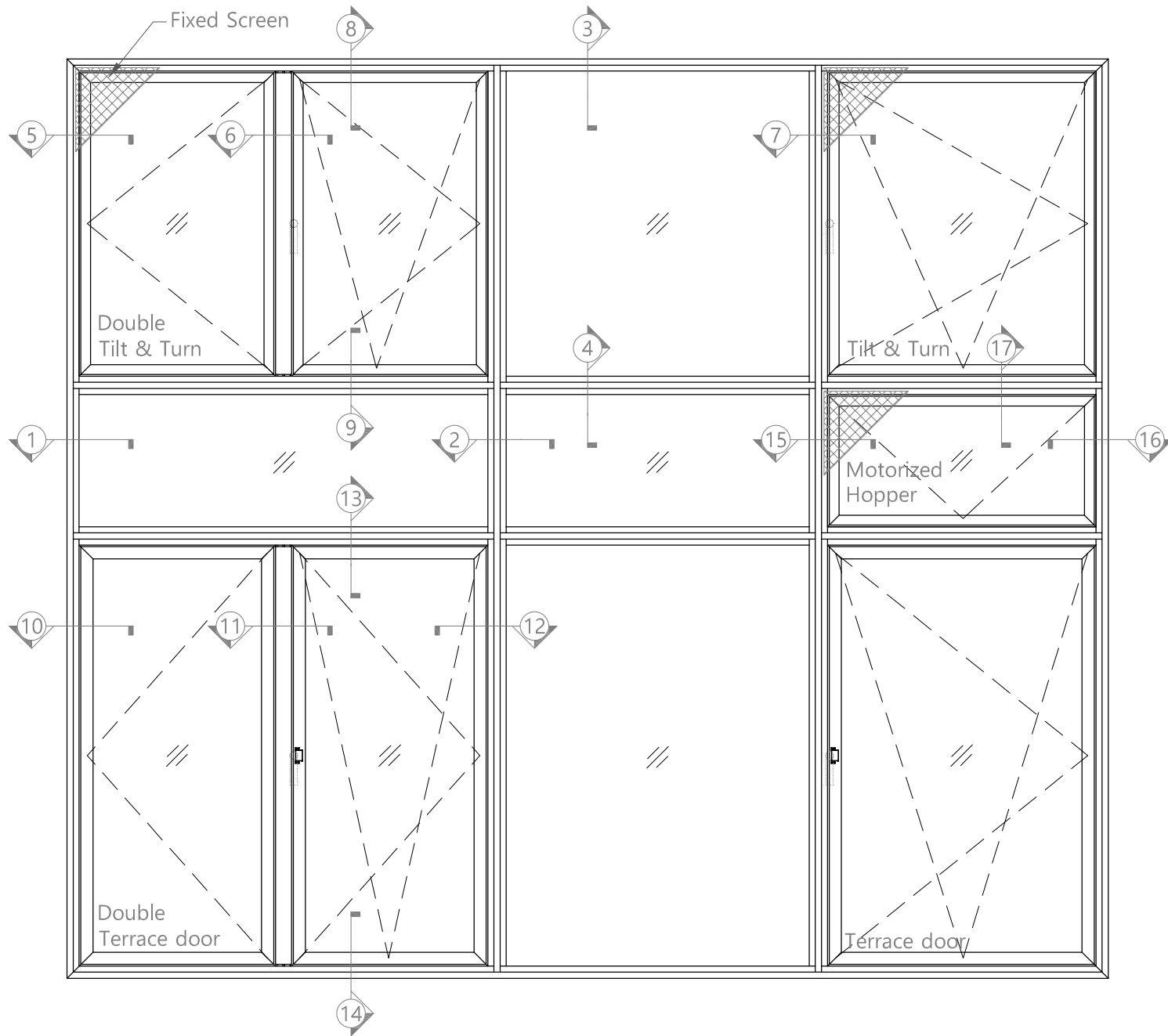


AWS 75.SI+118



The Schüco AWS 75.SI+118 thermally insulated window system with basic depth of 118mm (4 5/8") sets a new thermal insulation standard for aluminum windows without compromising of comfort, design and functionality. The narrow profile face widths ensure maximum transparency which guarantees that your living and work space is bright and flooded with light. Also available in basic depth of 75mm.



AWS 75.SI+118 System with Windows and Terrace Doors

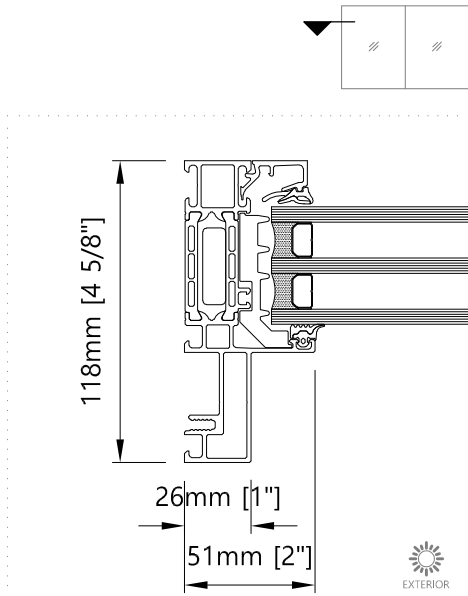
Elevation - Exterior View

W1

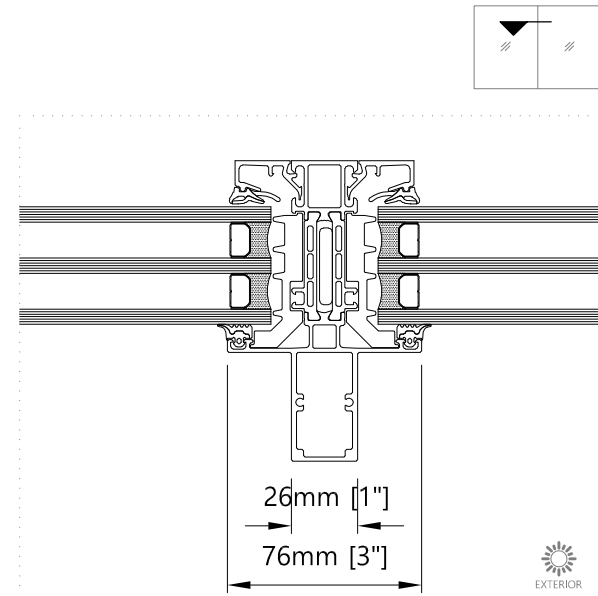
V1

1677 Aimco Blvd., Unit A,
Mississauga, ON, L4W 1H7
905-602-5887
www.bigfootdoor.com

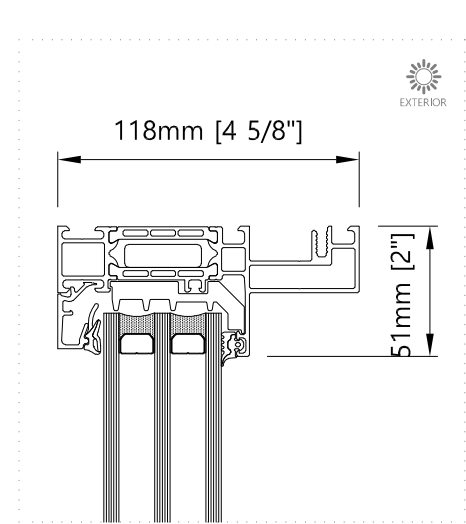
bigfoot | door



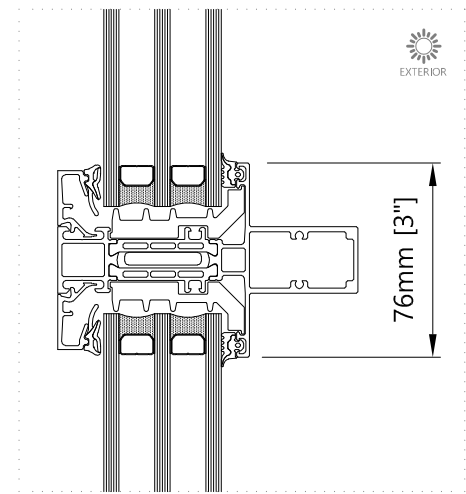
1 Jamb - Horizontal
Fixed Window



2 Mullion - Horizontal
Fixed Window



3 Top - Vertical
Fixed Window



4 Transom - Vertical
Fixed Window

AWS 75.SI+118 Fixed Window

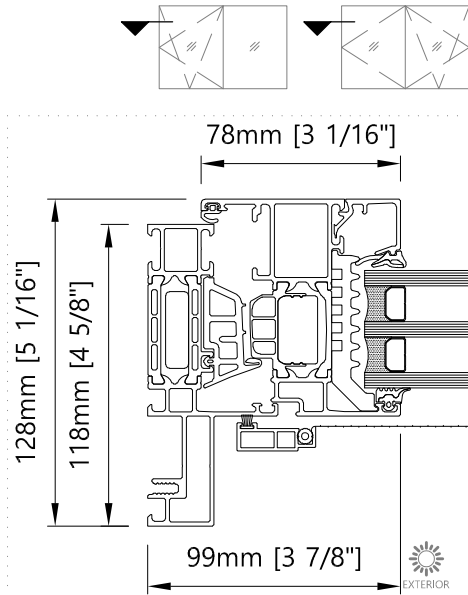
Horizontal and Vertical Details

W1.1

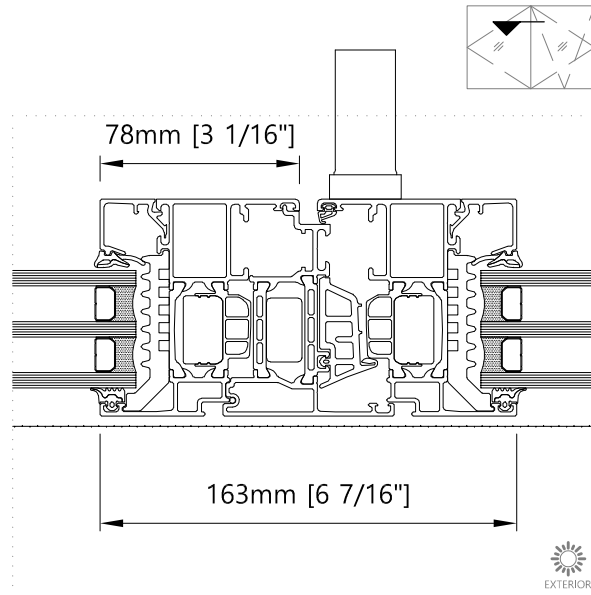
V1

1677 Aimco Blvd., Unit A,
Mississauga, ON, L4W 1H7
905-602-5887
www.bigfootdoor.com

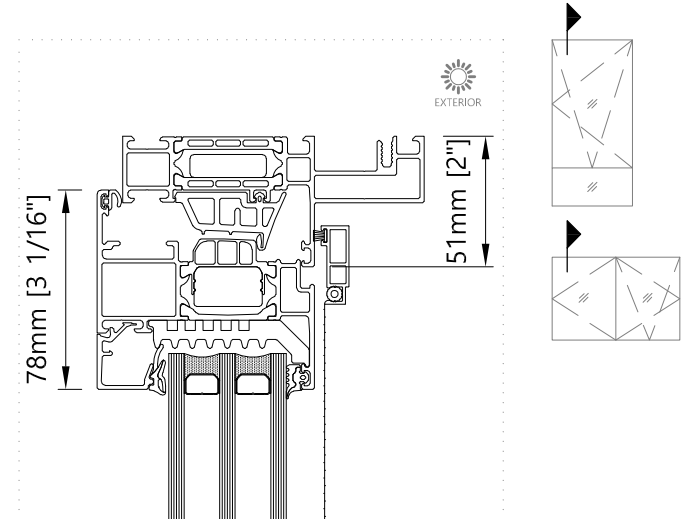
bigfoot | door



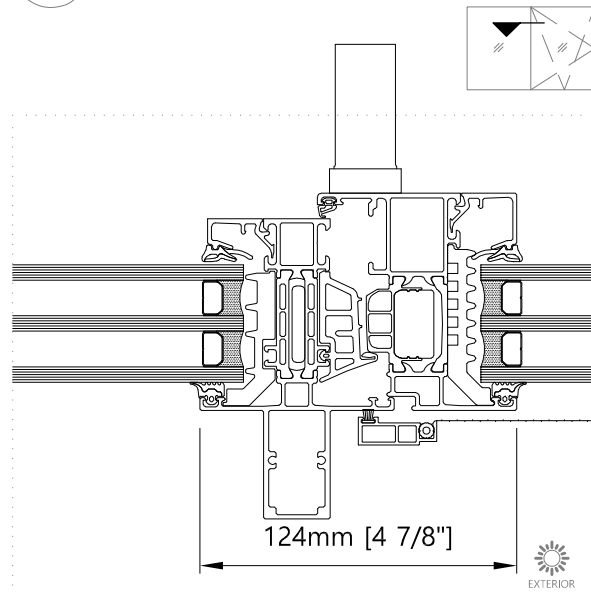
5 Jamb - Horizontal
T&T Window / Double T&T



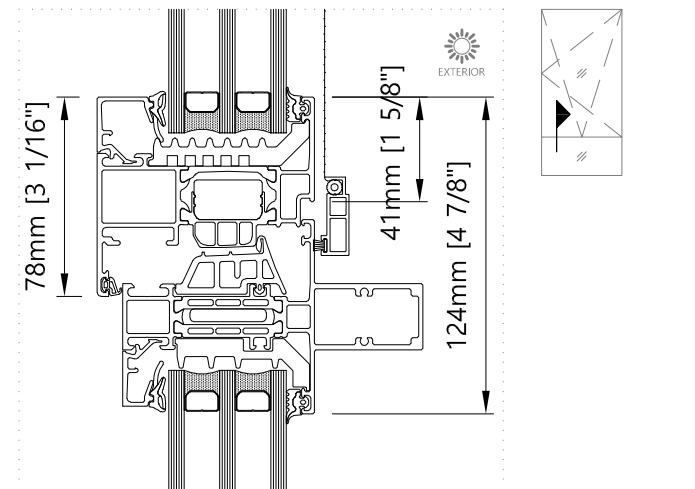
6 Meeting section - Horizontal
Double T&T



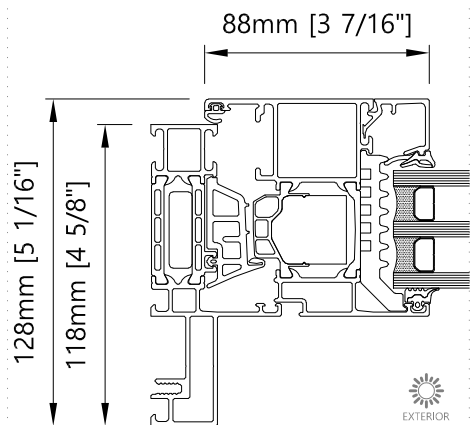
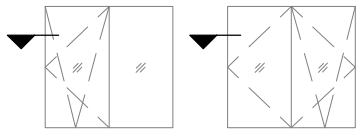
8 Top - Vertical
T&T Window / Double T&T



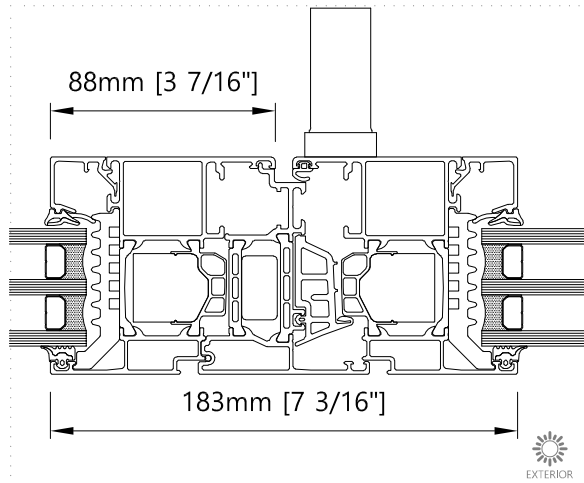
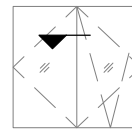
7 Mullion - Horizontal
T&T Window



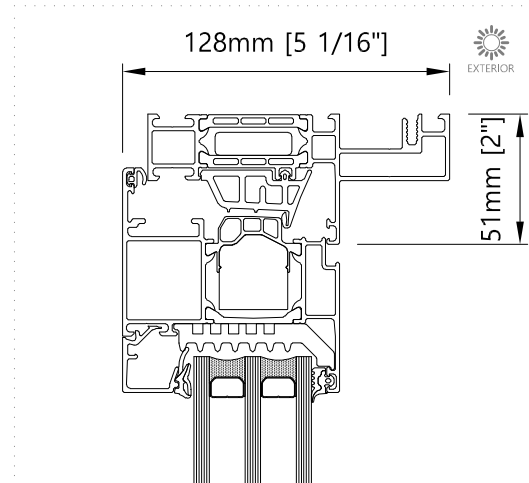
9 Transom - Vertical
T&T Window



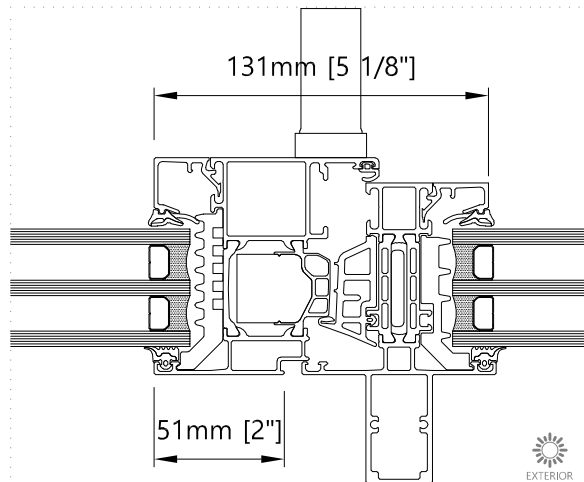
10 Jamb - Horizontal
Terrace door / Double terrace door



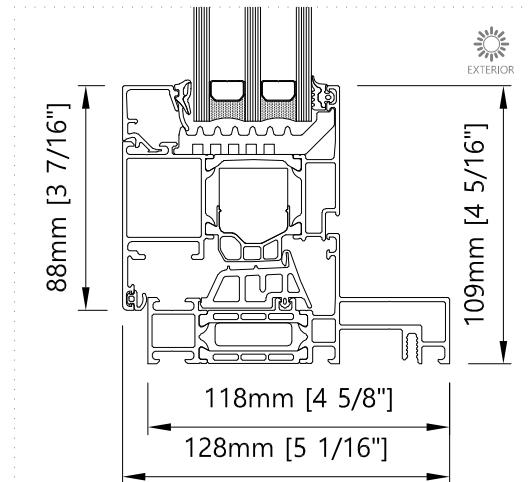
11 Meeting section - Horizontal
Double terrace door



13 Transom - Vertical
Terrace door

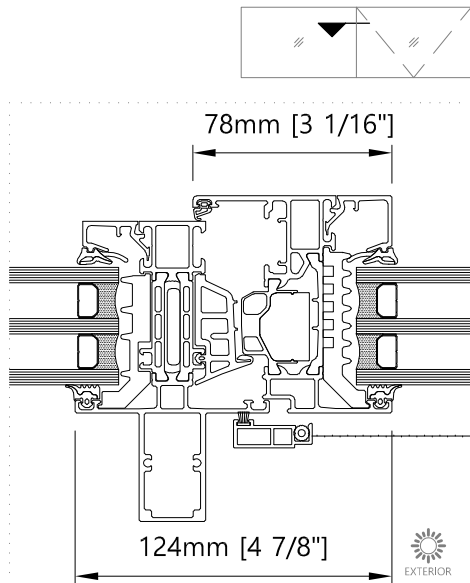


12 Mullion - Horizontal
Terrace door

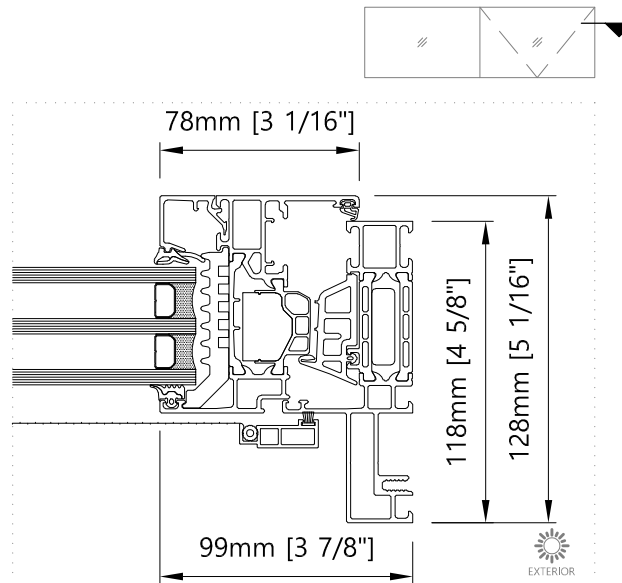


14 Transom - Vertical
Terrace door / Double terrace door

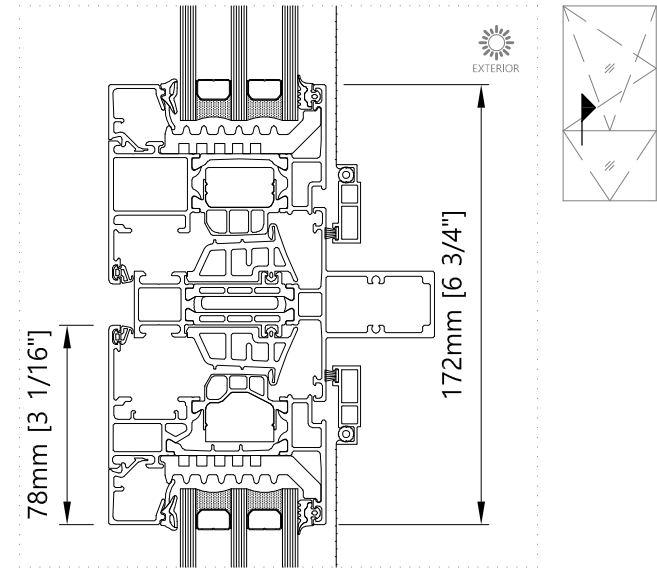




15 Meeting section - Horizontal
Motorized hopper window



16 Jamb - Horizontal
Motorized hopper window



17 Transom - Vertical
Motorized hopper window